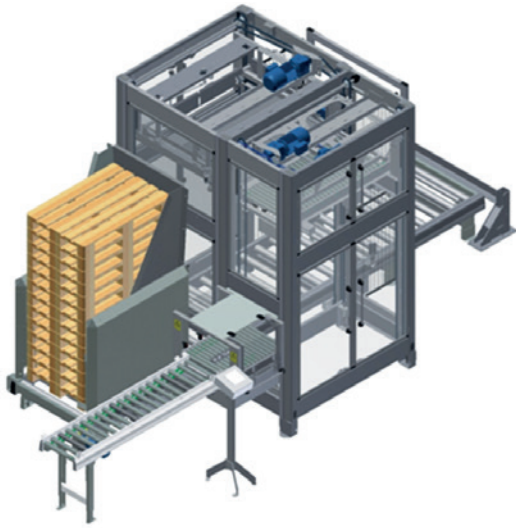


PALLETIZERS

Flexible palletizing with rugged and compact systems



-  **economical**
-  **safe**
-  **flexible**
-  **high quality**

smart packaging technology

OUR PALLETIZING SYSTEMS

The OPITZ Systems for palletizing of ready-to-send cases combine the highest degree of quality and mechanical durability with a maximum flexibility through individual packing schemes for different box formats. The proven construction is characterized by the rugged and space-saving design.

QUICK AND SAFE PALLETIZING

Our palletizers quickly and safely place boxes of different sizes onto a pallet according to freely selectable packing schemes, designed to make optimal use of the space on the pallet – with or without gaps. OPITZ Fully Automatic Palletizing Systems provide a compact and industrial-suited alternative to packaging robots.

We also offer pallet magazines, intermediate layer dispensers and turnstiles.

YOUR BENEFITS

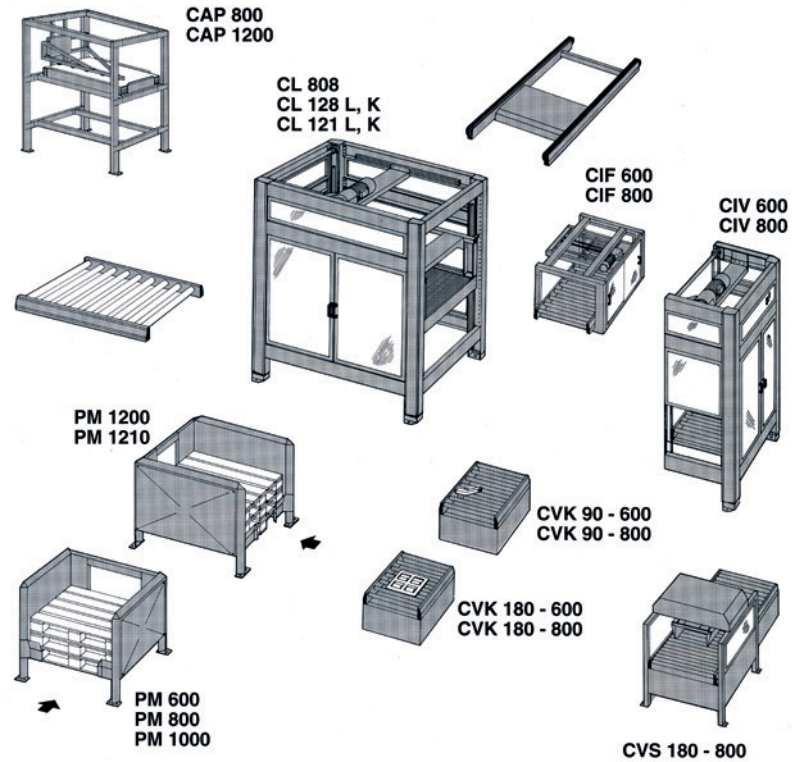
- optimal connection to upstream systems
- compact and clear construction
- industrial suitability and high quality
- user-friendliness



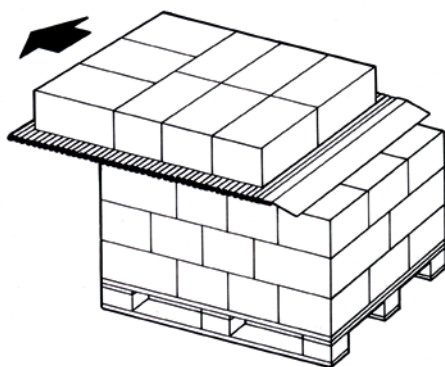
THE OPITZ PALLETIZING SYSTEM

THE STANDARD MODULES

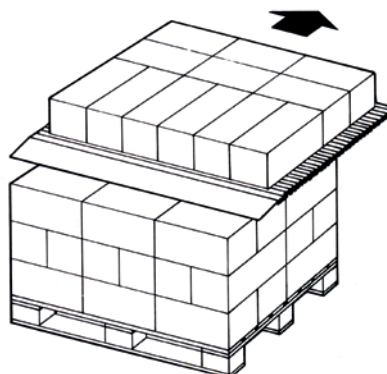
Our fully automatic layer palletizers perfectly meet demands for high productivity and low space requirements. By combination of different standard modules, we can easily customize the final system to nearly every industrial condition. OPITZ Palletizers are available with various types of turnstiles, pallet magazines, in- and outfeed conveyor systems and intermediate layer dispensers. The flexible construction of the machine enables an easy modification of the layout.



Type **K**
Typ



Type **L**
Typ



LAYER PALLETIZING

A roller carpet quickly place box and case layers onto the pallet in two possible methods:

- type "K" for short edge palletizing
- type "L" for long edge palletizing

Its unique construction substantially reduces the friction during the palletizing process and thereby guarantees gentle treatment of both boxes and bags. Saving according packing schemes for different box formats and sizes allows economical use of space on the pallet. Additionally, this option ensures optimal system utilization in regard to output and floorspace.